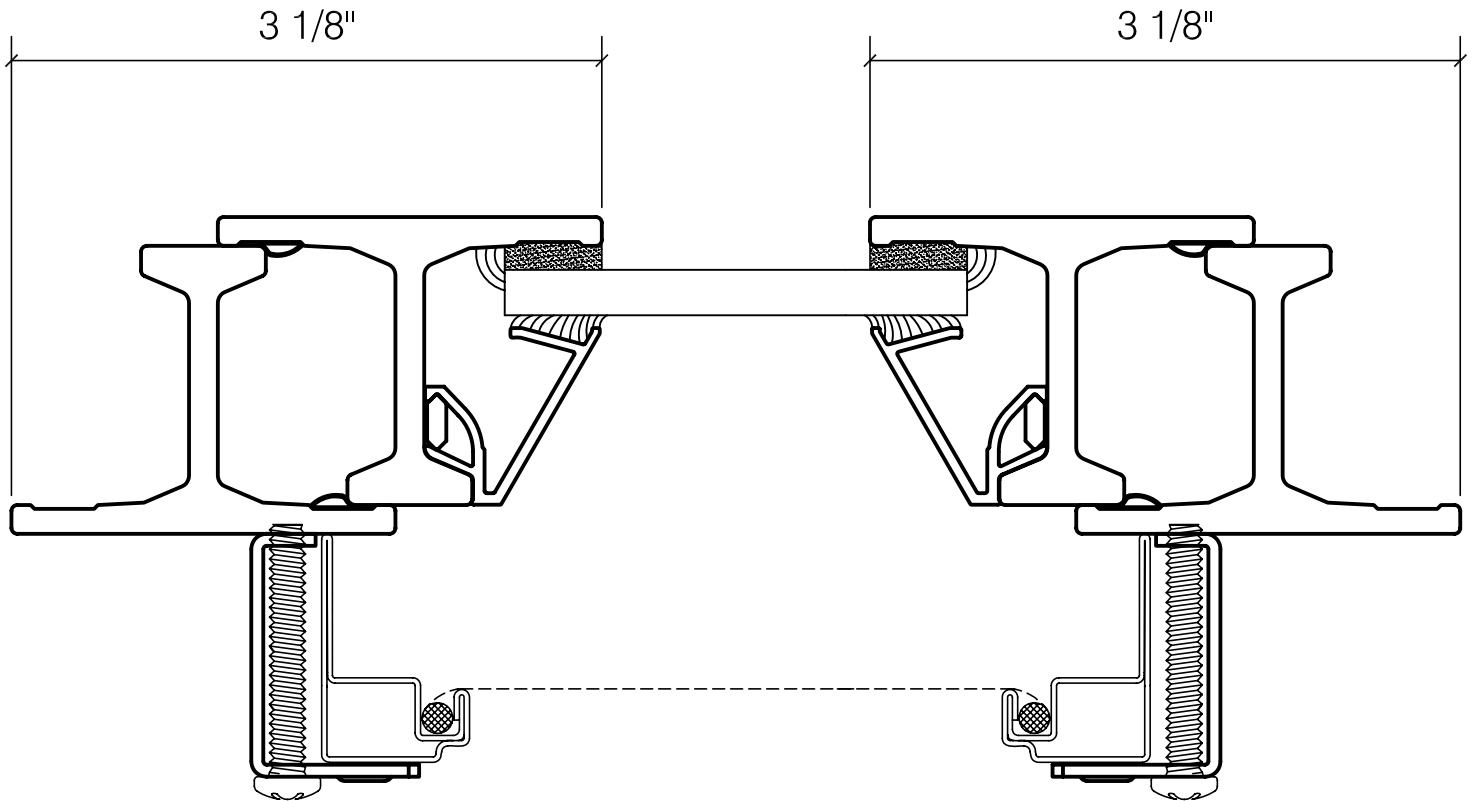


INTERIOR



EXTERIOR

TORRANCE STEEL WINDOW CO., INC.

1819 ABALONE AVE. TORRANCE, CALIFORNIA 90501
TEL: 310-328-9181 FAX: 310-328-7485

CENTURY 2000 SERIES

1/4" GLASS

TYPICAL SCREEN