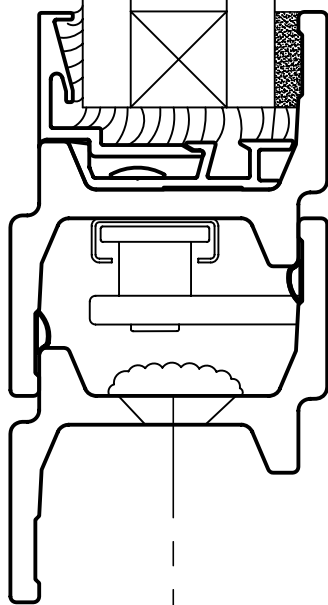
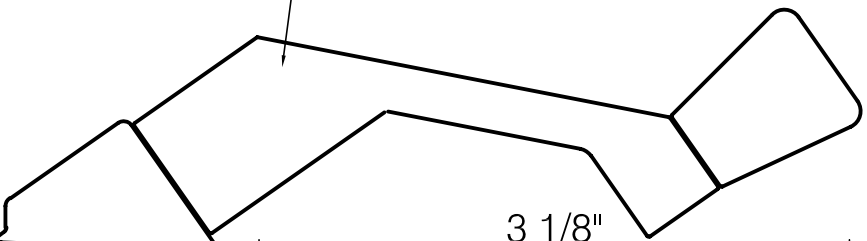


A

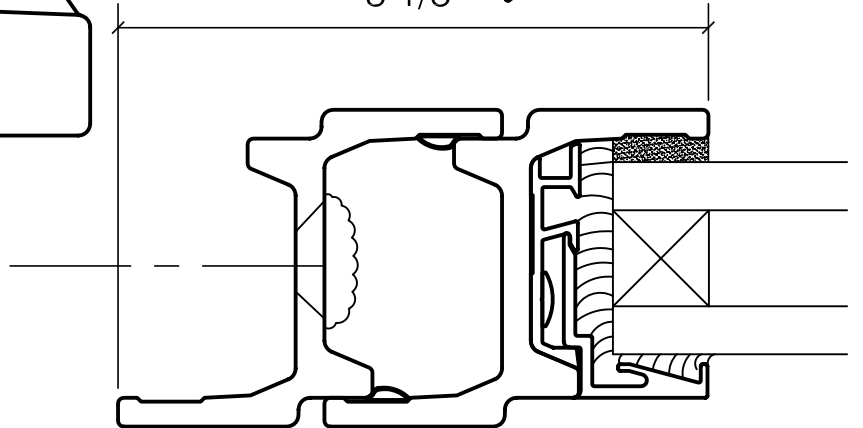
B



ROTO OPERATORS



3 1/8"



C

TORRANCE STEEL WINDOW CO., INC.

1819 ABALONE AVE. TORRANCE, CALIFORNIA 90501
 TEL: 310-328-9181 FAX: 310-328-7485

CENTURY 2000 SERIES

1" GLASS

AWNING WINDOW